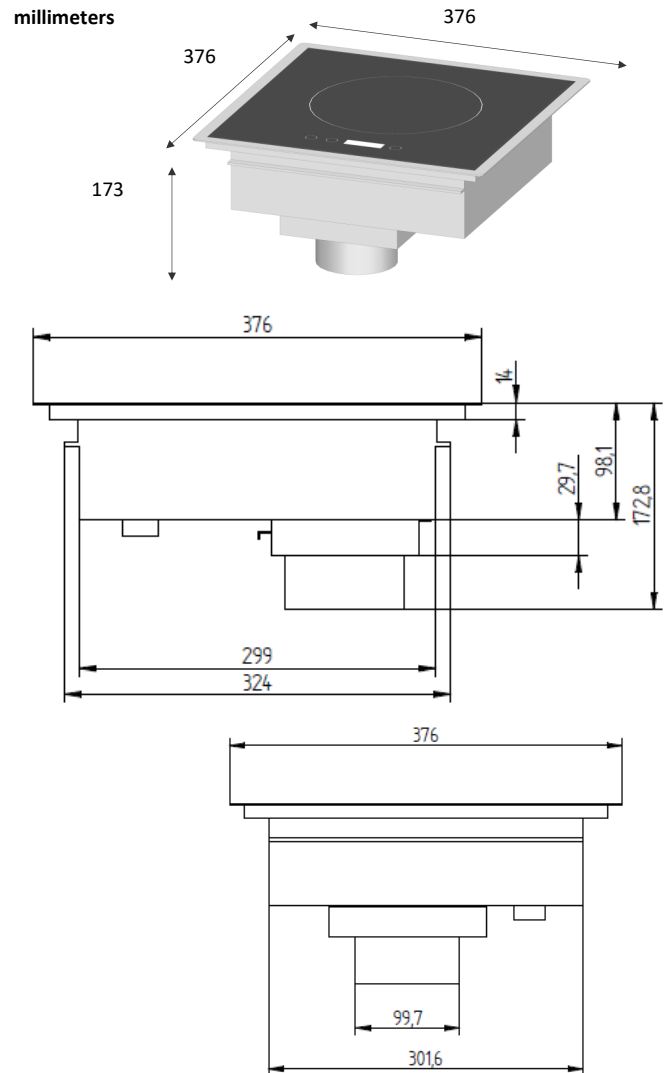
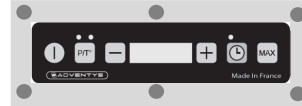
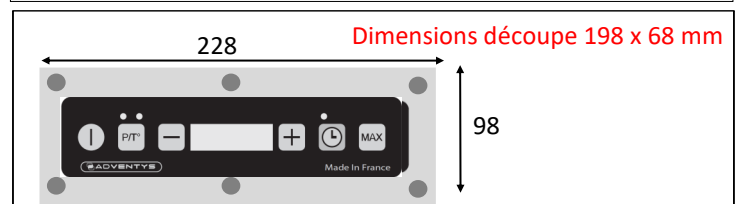


## TECHNICAL FEATURES

<b>External structure</b>	Stainless steel casing and vitroceramic glass
<b>Dimensions</b>	376x376xh173
<b>Power</b>	3000W
<b>Cooking surface</b>	Vitroceramic glass.
<b>Control panel</b>	Capacitive touches 6 keys 4 digits Remote drop-in control panel to fix with screws.
<b>Amp</b>	13 A
<b>Functions</b>	On/Off, manual power and temperature setting (+/-) from 30 to 250°C. Timer Max function
<b>Power supply</b>	230 V ; 220/240 V ; single phase AC 50 - 60 Hz
<b>Weight</b>	8 kg kg / 17,3 lbs.
<b>Standards</b>	Complies with European standards for safety of electrical appliances.
<b>Details &amp; Options</b>	Including a power cord without plug and a washable filter (wash regularly).  Including stainless steel frame to drop in client structure for flushed installation.  Including 2M cable between control panel and generator



Cut out dimensions 352x352mm



**ADVENTYS**  
Route de Pagny - 21250 Seurre - France  
www.adventys.com  
sales@adventys.com  
T: +33 3 80 20 46 15

### Important note

Adventys reserves the right to modify specifications without notice.